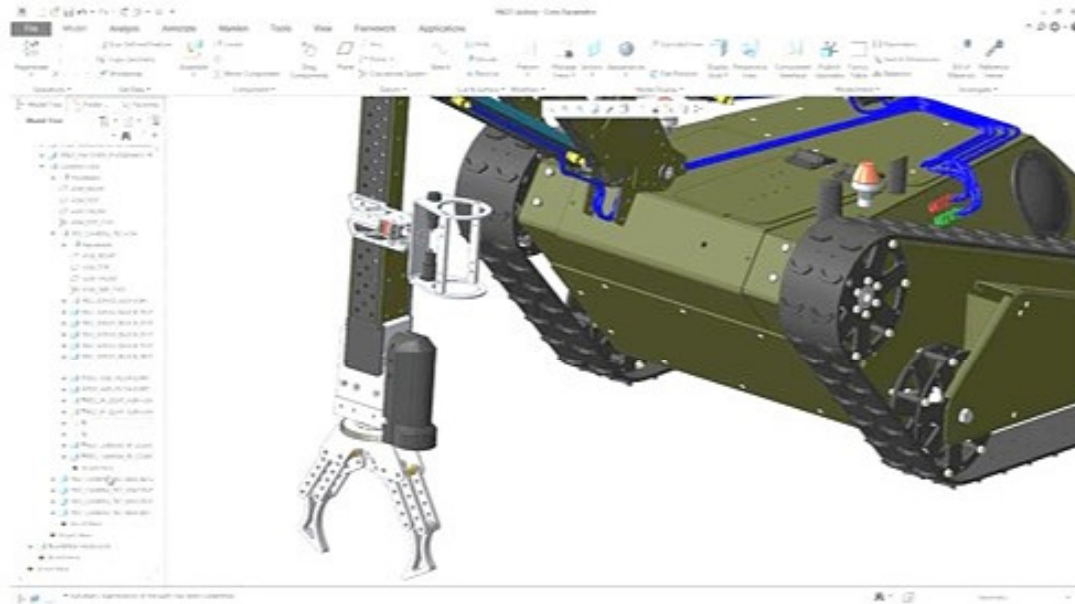


G H Patel College of Engineering & Technology (A Constituent College of The CVM University)

Expert Talk on 'Future opportunity in the field of CAD'



Mar 14th, 2023
09:00 am – 11:00 am



B 305 Classroom & Idea Lab

Organized by
AICTE IDEA Lab GCET